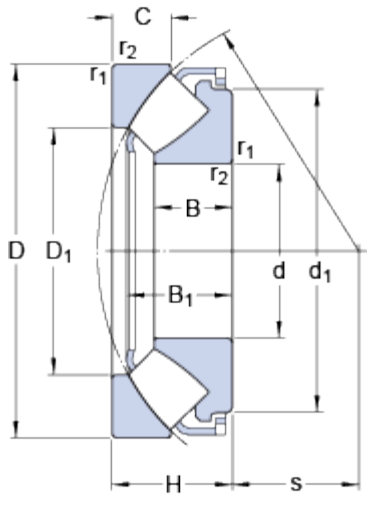


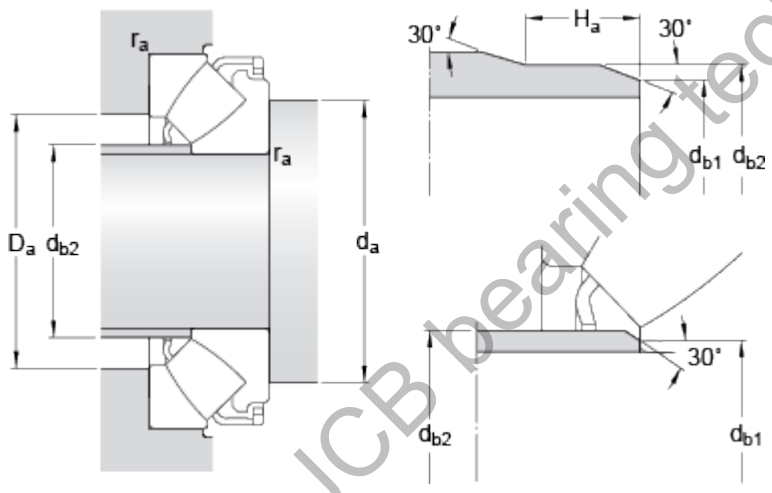
▶
29236

Dimensions



d	180	mm
D	250	mm
H	42	mm
d ₁	≈ 234	mm
D ₁	≈ 208	mm
B	26	mm
B ₁	36.9	mm
C	22	mm
s	97	mm
r _{1,2}	min. 1.5	mm

Abutment dimensions



d _a	min. 210	mm
d _{b1}	max. 187	mm
d _{b2}	max. 187	mm
H _a	min. 14	mm
D _a	max. 226	mm
r _a	max. 1.5	mm

Calculation data

Basic dynamic load rating	C	495	kN
Basic static load rating	C ₀	2040	kN
Fatigue load limit	P _u	212	kN
Reference speed		1600	r/min
Limiting speed		2600	r/min
Minimum axial load factor	A	0.4	

Mass

Mass bearing		5.8	kg
--------------	--	-----	----